

## Holders for Clamping Bolts

### SPECIFICATION

#### Types

- Type **E**: For one clamping bolt
- Type **Z**: For two clamping bolts

Steel C 45

Chemically nickel plated **NC**

Socket cap screws DIN 912

Centering guide bushings

Steel, blackened



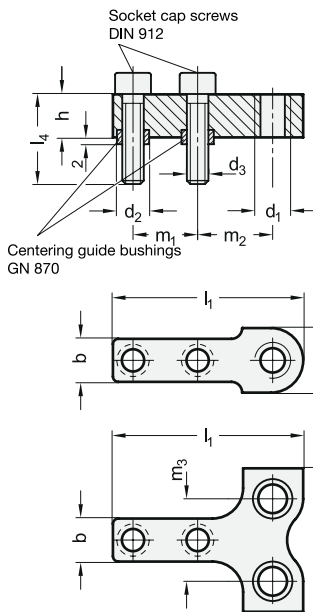
### INFORMATION

Holders for clamping bolts GN 867 are suitable for use on clamping arms of the power clamps GN 864 (see page 1634) / GN 865 (see page 1635) / GN 866 (see page 1636).

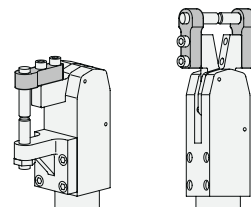
Holders for two clamping bolts (type Z) are preferably used in such applications where absolutely rigid clamping of a sheet metal component is essential. For the same purpose ball point screws GN 605 (see page 928) with serrated ball pads are ideally suited. Socket cap screws and centering guide bushings are included.

### TECHNICAL INFORMATION

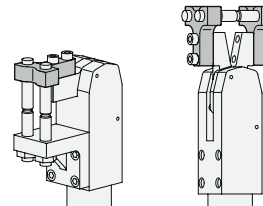
- ISO-Fundamental Tolerances (see page A21)



#### Mounting examples



Type E



Type Z

#### GN 867-E

| Description        | for power clamps |    | b -0.2 | d <sub>1</sub> | d <sub>2</sub> H8/h6 | d <sub>3</sub> | h  | l <sub>1</sub> | l <sub>2</sub> | l <sub>4</sub> | m <sub>1</sub> | m <sub>2</sub> | ⚖ |
|--------------------|------------------|----|--------|----------------|----------------------|----------------|----|----------------|----------------|----------------|----------------|----------------|---|
|                    | Size             |    |        |                |                      |                |    |                |                |                |                |                |   |
| GN 867-10-M8-E-NC  | 20               | 10 | M 8    | 7              | M 5                  | 10             | 37 | 13             | 19.5           | 12             | 14.5           | 20             |   |
| GN 867-12-M10-E-NC | 32               | 12 | M 10   | 9              | M 6                  | 12             | 53 | 17             | 29.5           | 18             | 20.9           | 90             |   |
| GN 867-16-M12-E-NC | 40               | 16 | M 12   | 11             | M 8                  | 14             | 63 | 20             | 34             | 22             | 23.5           | 110            |   |
| GN 867-18-M12-E-NC | 50               | 18 | M 12   | 13             | M 10                 | 16             | 73 | 20             | 34             | 27             | 28.5           | 130            |   |

#### GN 867-Z

| Description        | for power clamps |    | b -0.2 | d <sub>1</sub> | d <sub>2</sub> H8/h6 | d <sub>3</sub> | h  | l <sub>1</sub> | l <sub>3</sub> | l <sub>4</sub> | m <sub>1</sub> | m <sub>2</sub> | m <sub>3</sub> | ⚖ |
|--------------------|------------------|----|--------|----------------|----------------------|----------------|----|----------------|----------------|----------------|----------------|----------------|----------------|---|
|                    | Size             |    |        |                |                      |                |    |                |                |                |                |                |                |   |
| GN 867-10-M8-Z-NC  | 20               | 10 | M 8    | 7              | M 5                  | 10             | 37 | 30             | 19.5           | 12             | 14.5           | 17             | 30             |   |
| GN 867-12-M10-Z-NC | 32               | 12 | M 10   | 9              | M 6                  | 12             | 53 | 40             | 29.5           | 18             | 20.9           | 23             | 120            |   |
| GN 867-16-M12-Z-NC | 40               | 16 | M 12   | 11             | M 8                  | 14             | 63 | 50             | 34             | 22             | 23.5           | 30             | 180            |   |
| GN 867-18-M12-Z-NC | 50               | 18 | M 12   | 13             | M 10                 | 16             | 73 | 60             | 34             | 27             | 28.5           | 40             | 190            |   |